

Bottle Trap Drain INSTALLATION INSTRUCTIONS

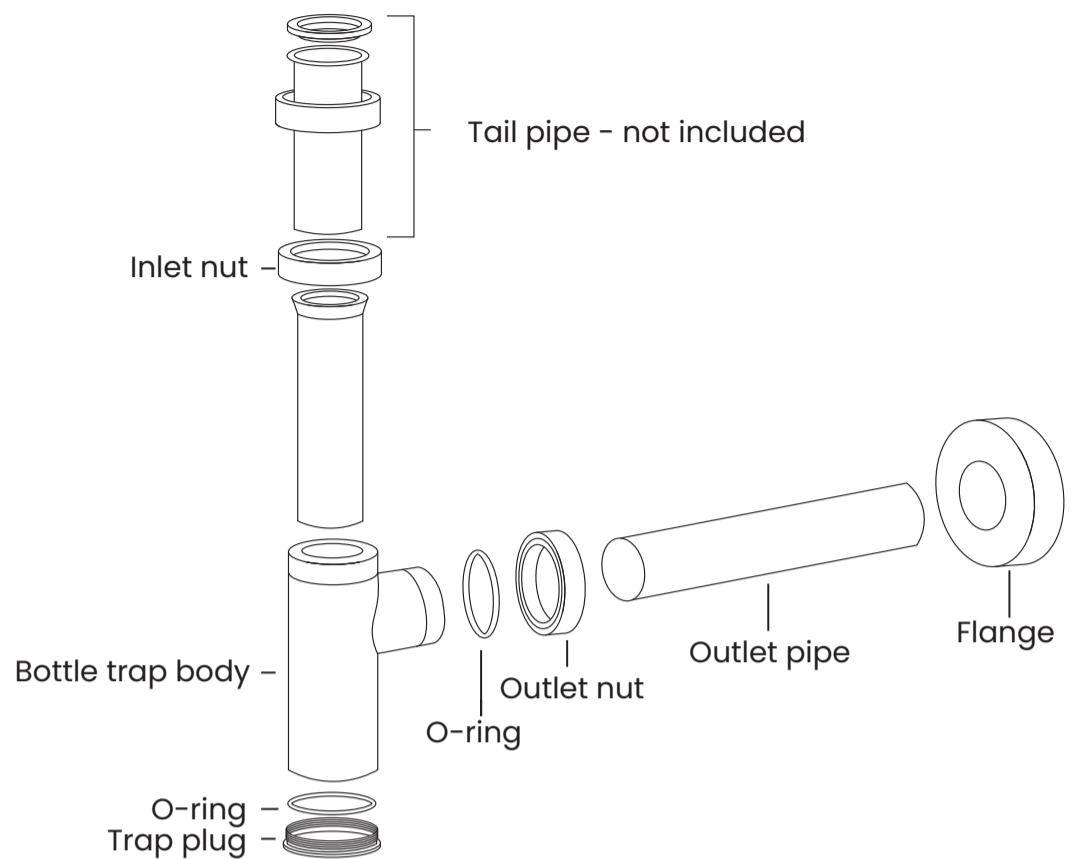
Prior to Installation:

- Inspect bottle trap drain to ensure no damages have occurred while in shipping.
- Observe all plumbing and building codes in accordance with your state and local requirements.
- The step-by-step guidelines in the installation instructions are a general reference. Should there be any discrepancies, Swiss Madison cannot be held liable. It is recommended to install all Swiss Madison products by hiring a licensed professional.
- Read installation and maintenance instructions thoroughly before installing. Be sure to use proper tools and always wear proper personal safety accessories for your protection.

Recommended Tools:

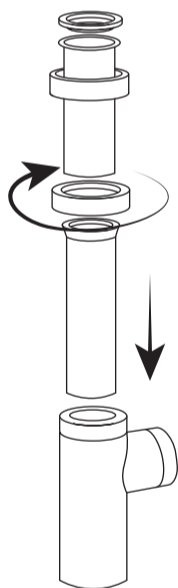
- Soft jaw wrench
- Soft cloth
- Hack saw
- Tape measure

NOTE: Be sure pipe is inserted by at least 1" to ensure proper compression fitting.



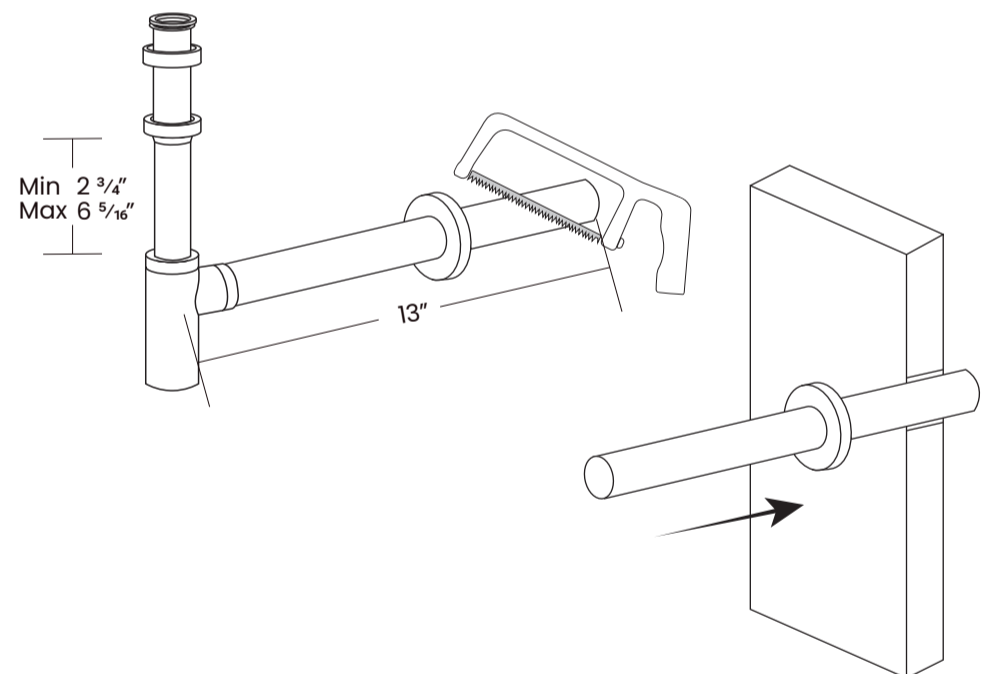
1. Install Tail Pipe & Inlet Nut

- Install tail pipe (not included) according to manufacturer's instructions.
- Attach bottle trap to tail pipe by hand tightening the inlet nut.
NOTE: Using a cloth to protect finish, use a soft-jaw wrench to tighten the inlet nut if necessary.



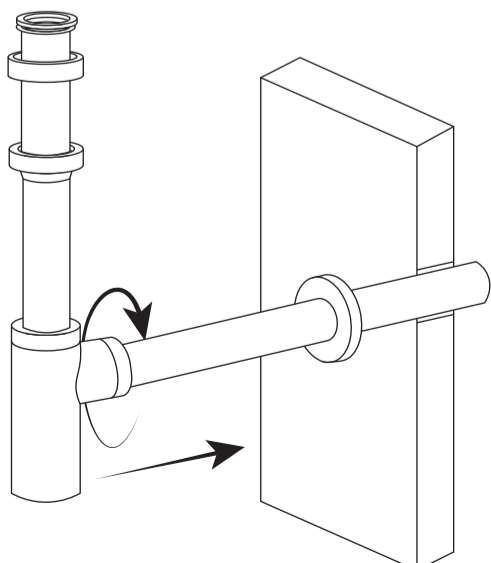
2. Install Outlet Pipe

- Measure, cut if necessary, then install outlet pipe into finished wall.



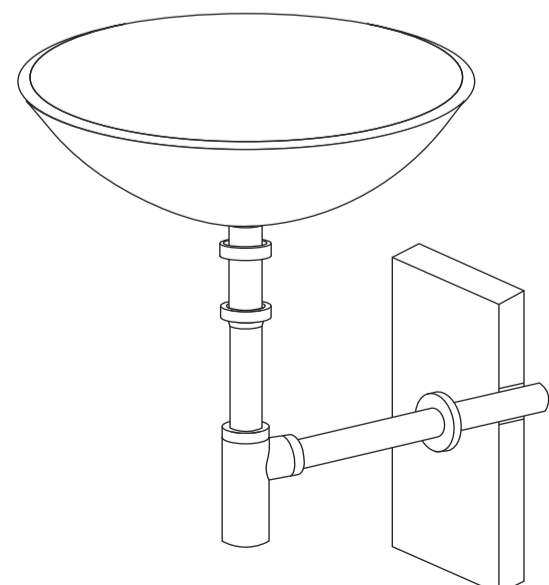
3. Connect Body to Outlet Pipe

- Attach bottle trap to outlet pipe by hand tightening the outlet nut.
NOTE: Using a cloth to protect finish, use a soft-jaw wrench to tighten the outlet nut if necessary.



4. Check for Leaks

- Turn on water and check for leaks, tighten where necessary.

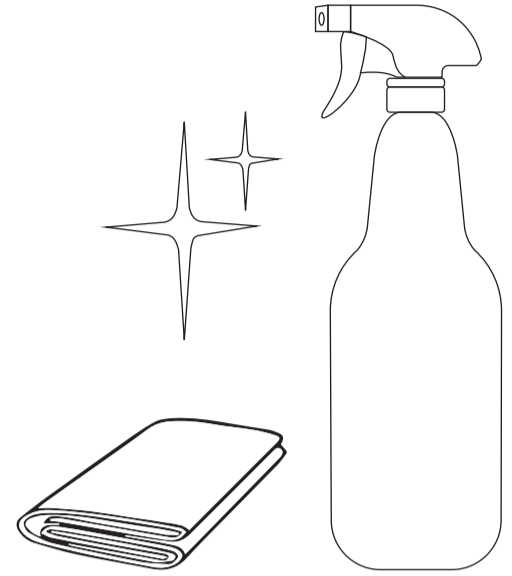


Bottle Trap Drain

USAGE & MAINTENANCE

Cleaning and Maintenance:

- Do not clean with acidic or abrasive cleaners to prevent damaging the finish.
- Clean only with a soft cloth and a gentle cleaning solution for long-lasting shine and quality.



Usage and Unclogging:

- Use a flat-head screwdriver to turn and unlock the trap eye then remove from the bottle trap body.
- Remove any debris from the bottle trap body, then re-install the o-ring and trap plug.

